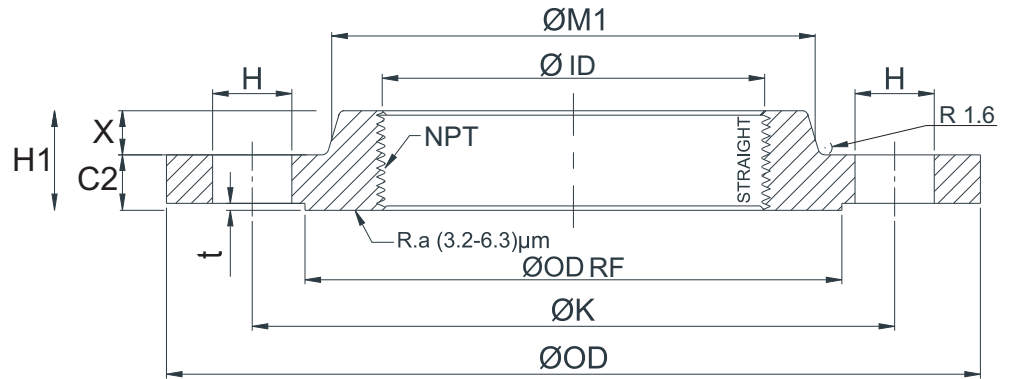
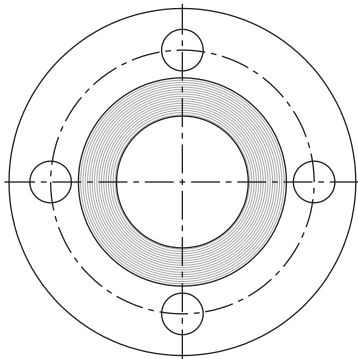


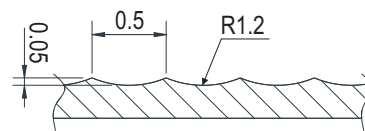
TOP VIEW



SECTION OF A-A



BOTTOM VIEW



SPIRAL SERRATED

NPT THREADED FLANGE ASME B16.5 ANSI 150LBS

Size		Flange				Raised face		HUB		H1	Drilling		Weight
DN (mm)	inch	OD	ID	C2	K	OD.RF	t	M1	X	(mm)	BOLT No.	H	Kg/ Pc
15	1/2"	89.0	19.0	11.1 ^{+0.8}	60.3	35.0	1.6	30.2	4.8	15.9	4	15.8	0.41
20	3/4"	98.5	24.5	12.8 ^{+0.8}	69.8	42.9	1.6	38.2	3.1	15.9	4	15.8	0.59
25	1"	108.0	31.0	14.3 ^{+1.0}	79.3	50.9	1.6	49.2	3.2	17.5	4	15.8	0.81
32	1-1/4"	117.5	39.7	15.9 ^{+1.0}	88.9	63.6	1.6	58.8	4.8	20.7	4	15.8	1.08
40	1-1/2"	127.1	45.6	17.5 ^{+1.0}	98.4	73.1	1.6	65.1	4.8	22.3	4	15.8	1.39
50	2"	152.5	57.7	19.1 ^{+1.0}	120.6	92.0	1.6	77.8	6.4	25.5	4	19.0	2.16
65	2-1/2"	177.9	70.3	22.3 ^{+1.5}	139.7	104.8	1.6	90.5	6.3	28.6	4	19.0	3.43
80	3"	190.6	86.3	23.8 ^{+1.5}	152.4	127.1	1.6	108.0	6.4	30.2	4	19.0	4.03
100	4"	228.7	111.8	23.8 ^{+1.5}	190.5	157.2	1.6	135.0	9.6	33.4	8	19.0	5.54

SPIRAL SERRATED : ON RAISED FACE ONLY